

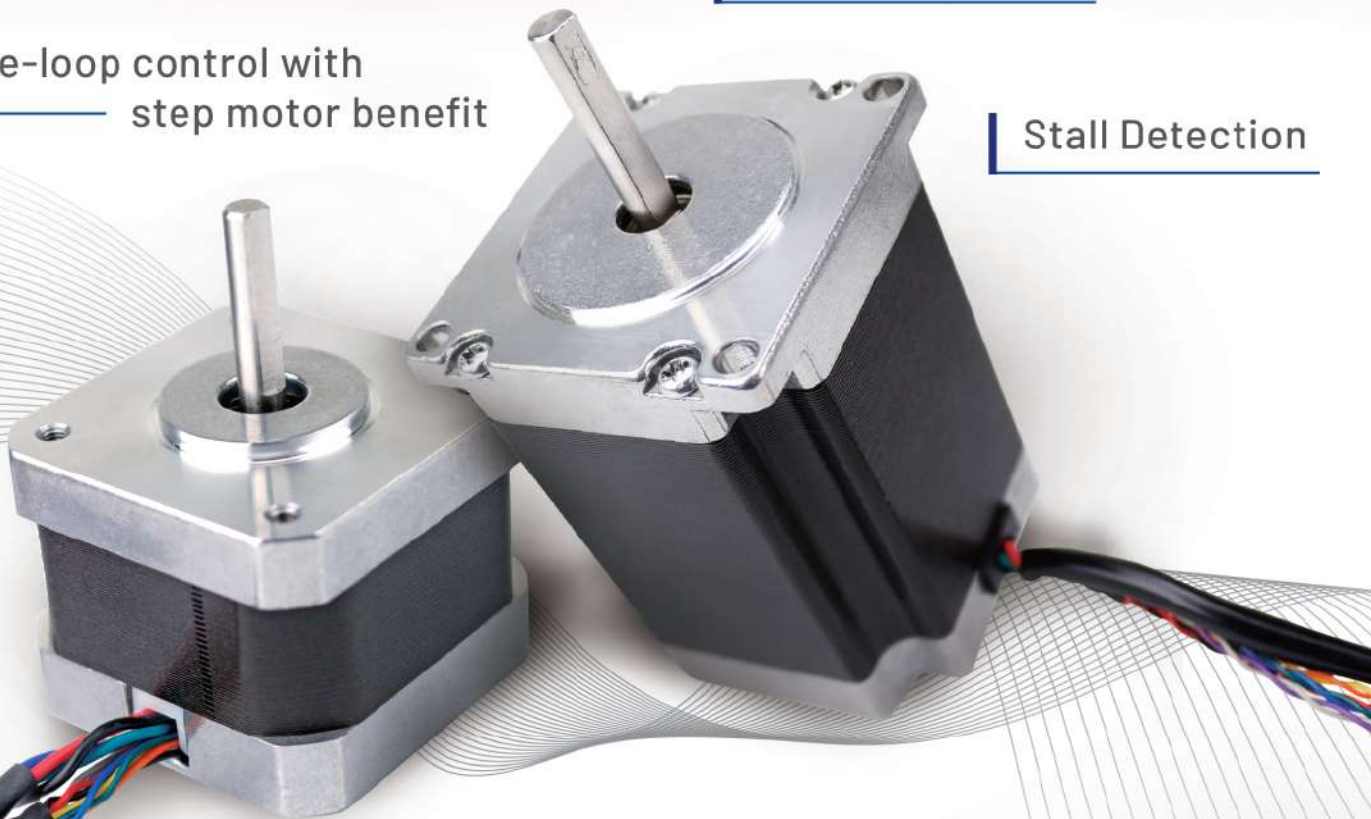
86STEP ENCODER IN STEP

Position Verification

Accurate Homing

Close-loop control with
step motor benefit

Stall Detection



Application Examples



CNC
machines



Automation



Medical
devices



Additive
Manufacturing



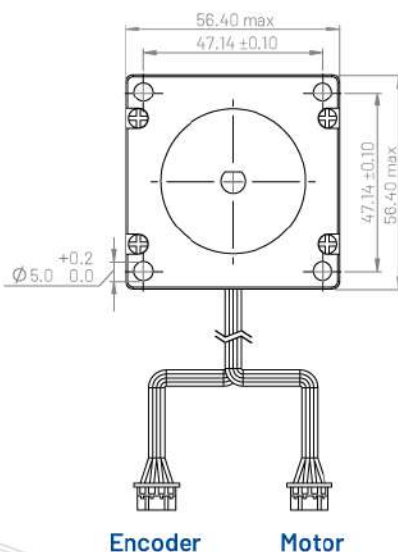
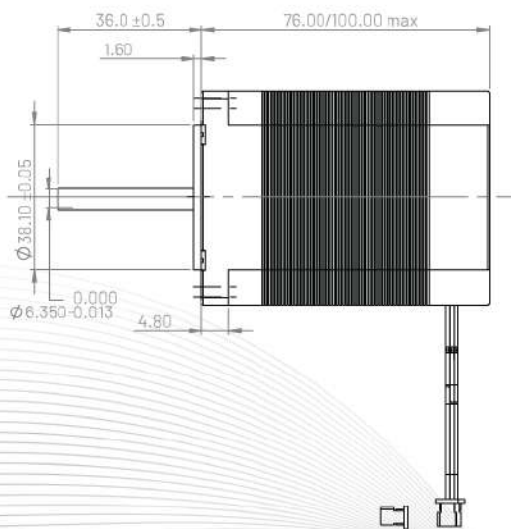
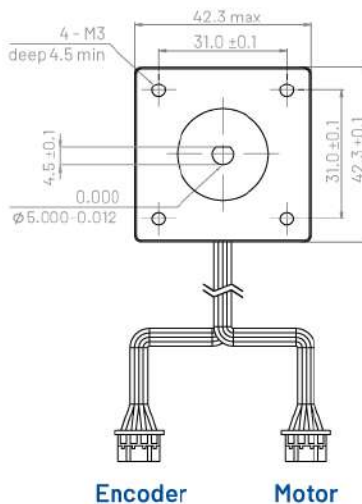
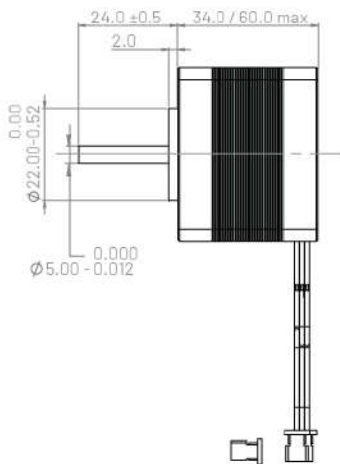
Dispensing
devices



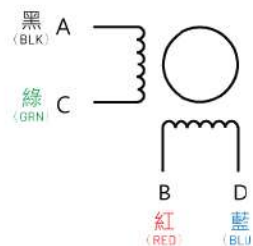
Position
required



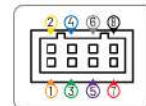
Part number	Holding torque	Step angle	Detent torque	Rated Current	Weight
86STEP-423409	280mN.m	0.9°	12mN.m	0.75A	0.2 kg
86STEP-426009	860mN.m	0.9°	20mN.m	1.50A	0.45 kg
86STEP-577609	1800mN.m	0.9°	70mN.m	3.0A	1.0 kg
86STEP-5710009	2400mN.m	0.9°	100mN.m	4.2A	1.3 kg



Wiring Diagram



Encoder



Conn1 PIN#	1	2	3	4	5	6	7	8
FUN	A+	A-	B+	B-	Z+	Z-	VCC	GND
Color	Orange	Yellow	Green	Blue	Purple	Grey	Red	Black

Motor



Conn1 PIN#	1	2	3	4
FUN	A	C	B	D
Color	Black	Green	Red	Blue

Uni-polarfull step

Excitation sequence and direction of rotation

STEP \ PHASE	A	B	C	D
1	+	+	-	-
2	-	+	+	-
3	-	-	+	+
4	+	-	-	+

seen from the mounting surface, it is clockwise

unit : mm

Key Features



Hybrid stepper motor



Encoder inside,
resolution 8,192 ppr to 16,384 ppr



Durable design



Suitable for a range
of applications



DMP

瞻普全電子股份有限公司
DMP ELECTRONICS INC.



86DUINO
WWW.86DUINO.COM

